



## TOP OF POLE MOUNT

1-TP9/1-TP12/ 1-TP13/ 1-TP24

DYCO SOLAR INC. provides top of the pole mount system in several sizes accommodating up to 30 solar modules. The system's dimensions are determined by the area of the solar module to be mounted on it.

DYCO specializes in customized designs and fabrication of the Pole Mount Systems to meet exact client requirements.

DYCO stocks customized mounts fabricated at our manufacturing facility in house. If we don't have a particular mount to fit your application our Engineers will help design and fabricate a solution that fits your needs.

## ADVANTAGES

### •EASY INSTALLATION:

DYCO Pole Mount Systems are easy to install saving time and cost of installation.

### •DURABILITY:

All structural components comprise of high grade stainless steel hardware, anodized aluminum alloy. The mounting system parts could be painted with a durable outdoor paint or it could be hot-dip galvanized for long service life.

### •WEATHER RESISTANT:

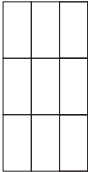
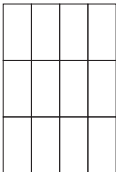
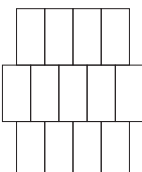
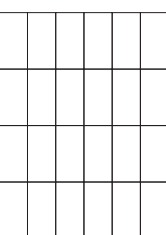
The DYCO Pole Mount Systems are designed to stand up to the extreme weather conditions and wind loads. The main support components also have been tested to guarantee its structure and load-carrying capacity.

### •CUSTOMIZED DESIGN FLEXIBILITY:

DYCO Pole Mount Systems can accommodate most commercially available framed solar panels and with diverse foundation solution and they can scale easily from small to large sized installations.

### •ADJUSTABLE:

All system are adjustable at every season :  
0° -30° - 45° - 60°

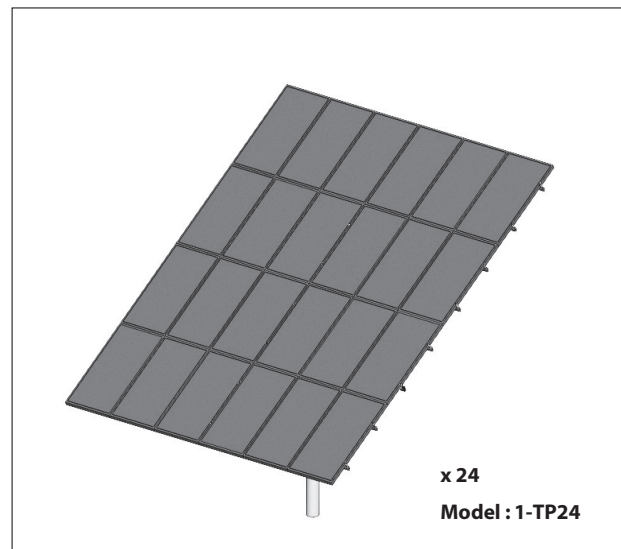
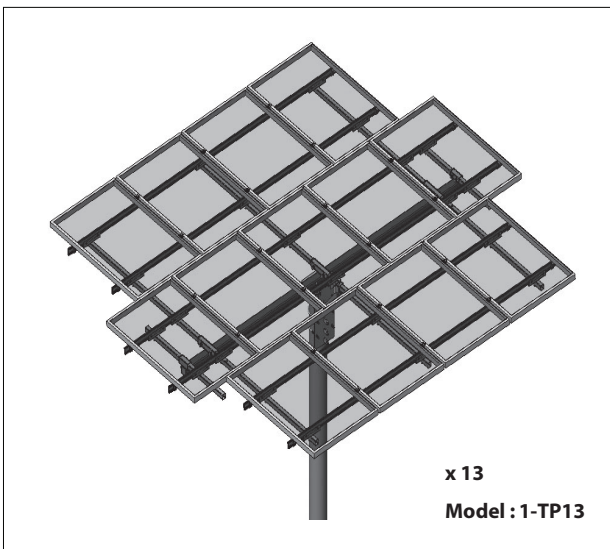
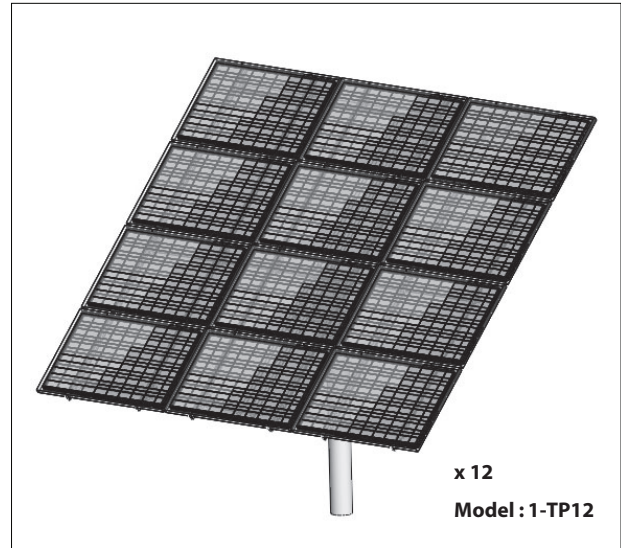
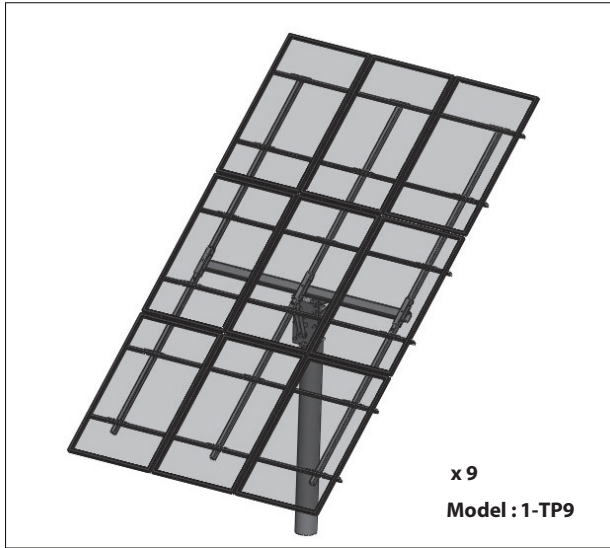
System	Module Qty	Model
	9	1-TP9
	12	1-TP12
	13	1-TP13
	24	1-TP24

730, Tupper St,  
Hawkesbury, On  
K6A 3H2 Canada  
Tel. +1-613-656-3791  
Fax +1-613-656-3782  
[info@dyco.ca](mailto:info@dyco.ca)



## TOP OF POLE MOUNT

1-TP9/1-TP12/ 1-TP13/ 1-TP24



System	Module Qty	Pole Size	Pole Type
DYCO TP1	9	6"	SH40
DYCO TP2	12	8"	SH40
DYCO TP3	13	8"	SH40
DYCO TP4	24	10"	SH40

\*\*The system parameters will vary if the design is varying as per customized requirements.

### DYCO Top of the Pole Mount Components

- Steel Head
- Steel Main Frame
- Anodized Aluminum Rail Holder
- U –Bolts
- Angle Brackets
- Mid and End Brackets
- Stainless Steel Hardware

730, Tupper St,  
Hawkesbury, On  
K6A 3H2 Canada  
Tel. +1-613-656-3791  
Fax +1-613-656-3782  
[info@dyco.ca](mailto:info@dyco.ca)



© Copyright 2009-2012 All Rights Reserved